

- ✓ Produces up to 1954 lbs. (888 Kgs.)* of ICE per day
- ✓ Constructed from sturdy, corrosion-resistant 300 series stainless steel
- ✓ Single or three-phase, 208 - 230 volt / 60 cycle available
- ✓ Ultra-low profile - 26 inches (660 mm) tall
- ✓ Available with a water- or remote-cooled condenser



ICE 1806 on a B100 Bin

ICE-O-Matic is the Best ICE Making Solution for: Hard Water, Food Safety and Tight Spaces

Problem

Food Safety

Food safety concerns about slime- and odor-causing bacteria

Hard Water

Scaling due to hard water slows Ice production

Tight-Fitting Spaces

Inadequate air flow due to tight-fitting spaces reduces Ice production

Corrosion

Salt air corrosion of outdoor equipment located in coastal regions

Solution

PURE ICE® - Exclusively by ICE-O-Matic

Built-in antimicrobial protection for the life of the machine prevents bacteria and slime fungus growth. ICE-O-Matic's optional water filtration system provides protection against unpleasant tastes, odors and scale formation.

Harvest Assist

Consistent ICE production 24 / 7 for the life of the ICE Maker while reducing operating costs

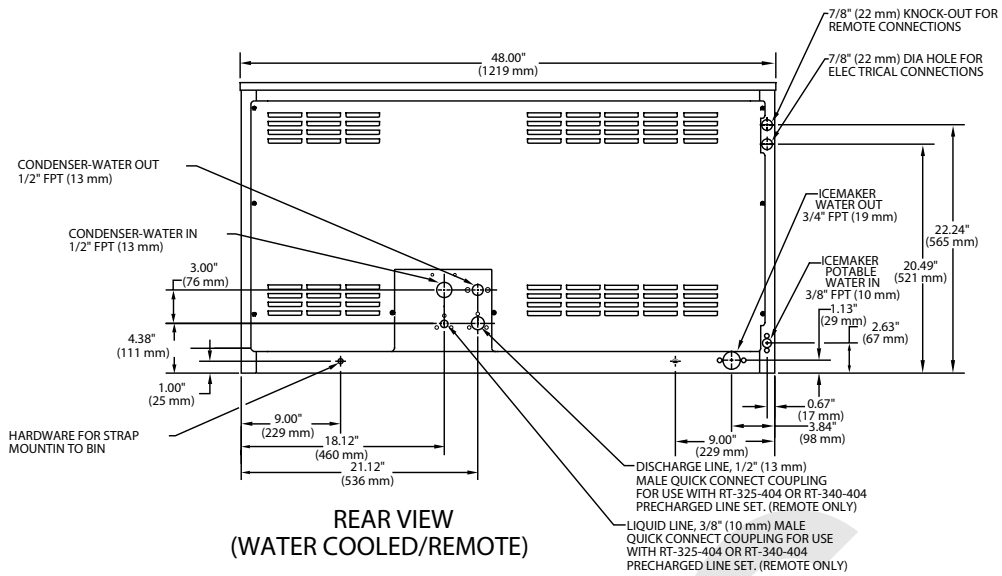
Maximum ICE

Maximum ICE production in a minimum amount of space with an ultra-low profile - 48 inches wide / 26 inches tall

Sea Salt Corrosion Protection

All remote condensers are coated with a salt air corrosion protection – FREE

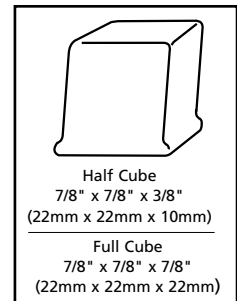
ICE 2106 Series Cube ICE Maker



ICE PRODUCTION CHART POUNDS (KILOGRAMS) PER 24 HOURS									
ICE 1806					ICE 2107				
Conds. Unit	Air Temp. °F (°C)	Water Temp. °F (°C)			Air Temp. °F (°C)	Water Temp. °F (°C)			
		80°(27°)	70°(21°)	50°(10°)		80°(27°)	70°(21°)	50°(10°)	
Water Cooled	90° (32°)	1652 (751)	1776 (807)	1847 (840)	90° (32°)	1447 (658)	1556 (707)	1682 (765)	
	80° (27°)	1607 (730)	1728 (785)	1901 (864)	80° (27°)	1502 (683)	1615 (734)	1777 (808)	
	70° (21°)	1652 (751)	1776 (807)	1954 (888)	70° (21°)	1583 (719)	1702 (773)	1872 (851)	
Remote Cooled	90° (32°)	1403 (638)	1509 (686)	1613 (733)	90° (32°)	1387 (630)	1491 (678)	1670 (759)	
	80° (27°)	1430 (650)	1538 (699)	1692 (769)	80° (27°)	1525 (693)	1640 (745)	1804 (820)	
	70° (21°)	1496 (680)	1609 (731)	1770 (805)	70° (21°)	1638 (745)	1762 (801)	1938 (881)	
	50° (10°)			1805 (821)	50° (10°)			1977 (899)	
	30° (-1°)			1842 (837)	30° (-1°)			2016 (916)	
	0° (-18°)			1878 (854)	0° (-18°)			2057 (935)	

OPERATING LIMITS	
Ambient Temp. Range	
Water	50° - 110°F (10° - 43°C)
Remote	-20° - 110°F (-29° - 43°C)
Water Temp. Range	40° - 100°F (4.5° - 38°C)
Water Pressure ICE Maker	Min. 20 psi (1.4 bar)
Water in	Max. 60 psi (6.9 bar)
Condenser Inlet Water (Water cooled only)	Min. 20 psi (1.4 bar) Max. 60 psi (6.9 bar)

1. 90° / 70° figures are rated in accordance with ARI Standard 810. All remaining points are mathematical estimates.
2. All specifications and performance data are subject to normal manufacturing variances.



ORDERING AND SPECIFICATION INFORMATION

Model No.	Cond. Unit	ICE Production per 24 hrs. at 70° Air / 50° Water lbs. (Kgs.)	ICE Production per 24 hrs. at 90° Air / 70° Water lbs. (Kgs.)	Water Used-Gals. (Lits.) per 100 lbs. of ICE 90° Air / 70° Water		Kilowatts Used per 100 lbs. of ICE 90° Air / 70° Water	Btuh	Voltage Characteristics	No. of Wires	Min. Circuit Amp.	Max. Fuse Size	Recommended Breaker Size	Shipping Weight lbs. (Kgs.)
				ICE Prod.	Cond. Use								
60 Hz ICE1806•W	Water	1954 (888)	1776 (807)	24.1 (91)	139.5 (528)	3.6	29636	208-230/60/1	3	17.0	30	20	375 (170)
60 Hz ICE1806•R	Remote	1770 (805)	1509 (686)	20.85 (79)	n/a	4.9	28719	208-230/60/1	3	22.2	30	25	375 (170)
60 Hz ICE1807•W	Water	1872 (851)	1556 (707)	20.1 (76)	150.5 (570)	4.3	33179	208-230/60/3	4	10.7	15	15	375 (170)
60 Hz ICE1807•R	Remote	1938 (881)	1491 (678)	19.3 (73)	n/a	4.7	27966	208-230/60/3	4	15.5	15	15	375 (170)
ERC-5061	Remote Condenser for 1 model ICE1806/1807R (208-230/50-60/1/3 voltage)												155 (71)
RT-325-404	25 ft. (7.6m) Precharged Tubing Kit for R-404A models												13 (6)
RT-340-404	40 ft. (12m) Precharged Tubing Kit for R-404A models												18 (8)
RT-345-404	45 ft. (13.7m) Precharged Tubing Kit for R-404A models												19 (9)
RT-360-404	60 ft. (18.2m) Precharged Tubing Kit for R-404A models												26 (12)

See Bin specification sheet for information on ICE Storage bins

- represents cube size. For full cube substitute an "F", for half cube substitute an "H".

