

ICE1400

cube ice maker



ICE1400
shown on
model B100 Bin



Produces up to 1466 lbs. (666 Kgs.)*
of ice per day.

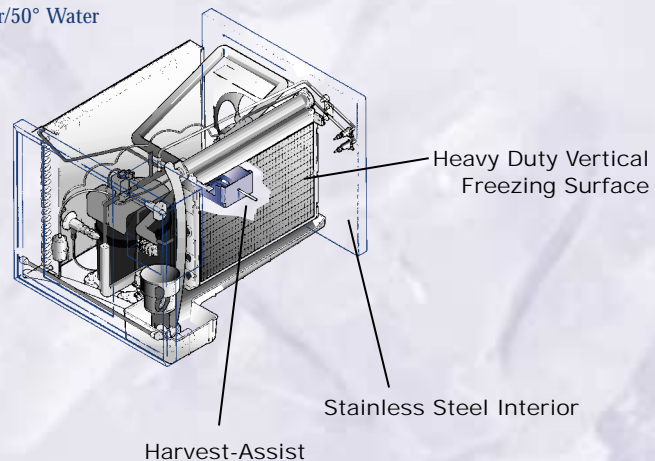
- Constructed from sturdy, corrosion-proof 300-series stainless steel — inside and out.
- Advanced “Harvest Assist” system gets ice to the bin more quickly. It conserves energy and increases compressor life.


▪ **AgION™** Antimicrobial inside.

AgION™ antimicrobial inhibits the growth of slime and odor-causing bacteria.

- Easy to service and install. The ICE Series™ machines have electro-mechanical controls.
- Works on all standard industry dispensers and bins.
- Proven “classic cube” shape. Half cube and Full cube systems available.
- Available with an air-, water- or remote-cooled condenser.

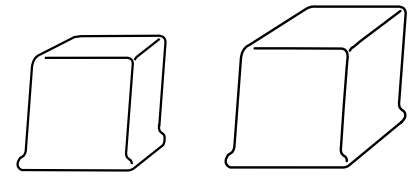
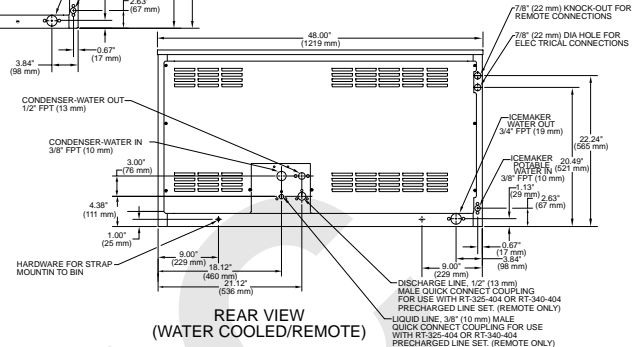
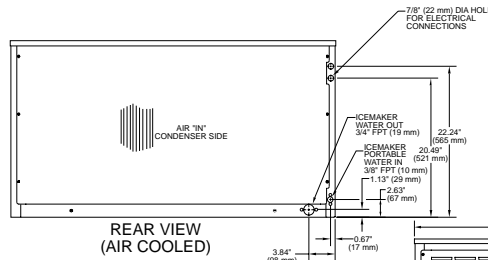
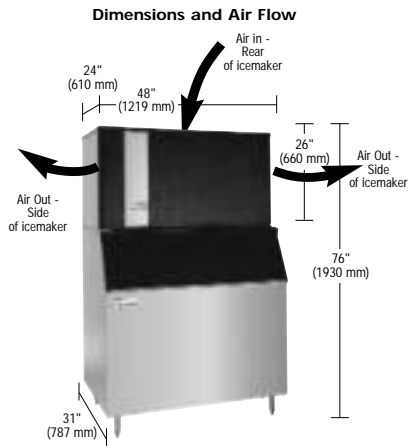
*Tested at 70° Air/50° Water



 **Ice-O-Matic®**

ICE1400 Series Cube Ice Maker

ICE1400 Series Cube Ice Maker



Half Cube
7/8" x 7/8" x 3/8"
(22mm x 22mm x 10mm)

Full Cube
7/8" x 7/8" x 7/8"
(22mm x 22mm x 22mm)

Not shown actual size

ICE PRODUCTION CHART POUNDS (KILOGRAMS) PER 24 HOURS

ICE1406				ICE1405				
Conds. Unit	Air Temp. °F (°C)	Water Temp. °F (°C)			Air Temp. °F (°C)	Water Temp. °F (°C)		
		80°(27)	70°(21)	50°(10)		80°(27)	70°(21)	50°(10)
Air Cooled	90° (32°)	1043 (474)	1122 (510)	1260 (573)	90° (32°)	838 (381)	901 (410)	1046 (475)
	80° (27°)	1152 (524)	1239 (563)	1363 (619)	80° (27°)	976 (444)	1049 (477)	1154 (525)
	70° (21°)	1239 (563)	1333 (606)	1466 (666)	70° (21°)	1068 (485)	1148 (522)	1263 (574)
Water Cooled	90° (32°)	1104 (502)	1187 (540)	1271 (578)	90° (32°)	1030 (468)	1107 (503)	1195 (543)
	80° (27°)	1128 (513)	1213 (551)	1334 (606)	80° (27°)	1065 (484)	1146 (521)	1260 (573)
	70° (21°)	1181 (537)	1270 (577)	1397 (635)	70° (21°)	1121 (510)	1205 (548)	1326 (603)
Remote Cooled	90° (32°)	1055 (479)	1134 (515)	1264 (574)	90° (32°)	932 (424)	1002 (455)	1058 (481)
	80° (27°)	1150 (523)	1237 (562)	1361 (619)	80° (27°)	930 (423)	1000 (454)	1100 (500)
	70° (21°)	1233 (560)	1325 (602)	1458 (663)	70° (21°)	965 (439)	1038 (472)	1142 (519)
	50° (10°)			1487 (676)	50° (10°)			1165 (529)
	30° (-1°)			1517 (690)	30° (-1°)			1188 (540)
0° (-18°)			1547 (703)	0° (-18°)			1212 (551)	

- 90°/70° figures are rated in accordance with ARI Standard 810. All remaining points are mathematical estimates.
- All specifications and performance data are subject to normal manufacturing variances.

OPERATING LIMITS

Ambient Temp. Range	
Air & Water	50° - 110°F (10° - 43°C)
Remote	-20° - 110°F (-29° - 43°C)
Water Temp. Range	40° - 100°F (4.5° - 38°C)
Water Pressure Ice Maker	Min. 20 psi (1.4 bar)
Water in	Max. 60 psi (6.9 bar)
Condenser Inlet Water (Water cooled only)	Min. 20 psi (1.4 bar) Max. 60 psi (6.9 bar)

ORDERING AND SPECIFICATION INFORMATION

Model No.	Cond. Unit	Ice Production per 24 hrs. at 70° Air/70° Water lbs. (Kgs.)	Ice Production per 24 hrs. at 90° Air/70° Water lbs. (Kgs.)	Water Used-Gals. (Lits.) per 100 lbs. of Ice 90° Air/70° Water		Kilowatts Used per 100 lbs. of Ice 90° Air 70° Water	Btuh	Voltage Characteristics	No. of Wires	Min. Circuit Amp.	Max. Fuse Size	Shipping Weight lbs. (Kgs.)
				Ice Prod. Use	Cond. Use							
ICE1406% A	Air	1466 (666)	1122 (510)	21.3 (81)	n/a	5.5	22590	208-230/60/1	3	19.6	30	300 (136)
ICE1406% W	Water	1397 (635)	1187 (540)	22.2 (84)	153.4 (581)	4.9	22529	208-230/60/1	3	15.6	20	300 (136)
ICE1406% R	Remote	1458 (663)	1134 (515)	20.0 (76)	n/a	5.6	23085	208-230/60/1	3	23.3	25	300 (136)
ICE1405% A	Air	1263 (574)	901 (410)	22.2 (84)	n/a	6.2	19348	230/50/1	3	20.8	25	300 (136)
ICE1405% W	Water	1326 (603)	1107 (503)	21.1 (80)	177.0 (670)	4.5	20269	230/50/1	3	15.4	20	300 (136)
ICE1405% R	Remote	1142 (519)	1002 (455)	18.1 (69)	n/a	6.1	21330	230/50/1	3	18.1	25	300 (136)
ERC-2661	Remote Condenser for 1 model ICE1400R (208-230/50-60/1 voltage)											100 (46)
RT-325-404	25 ft. (7.6m) Precharged Tubing Kit for R-404A models											13 (6)
RT-340-404	40 ft. (12m) Precharged Tubing Kit for R-404A models											18 (8)

See Bin specification sheet for information on ice storage bins

% represents cube size. For full cube substitute an "F", for half cube substitute an "H".
Please note: air-cooled units require 6" (152 mm) clearance for air intake and exhaust.

