

# ICE1000

cube ice maker



**ICE1000**  
shown on  
model B55 Bin



Produces up to 1201 lbs. (546 Kgs.)\*  
of ice per day.

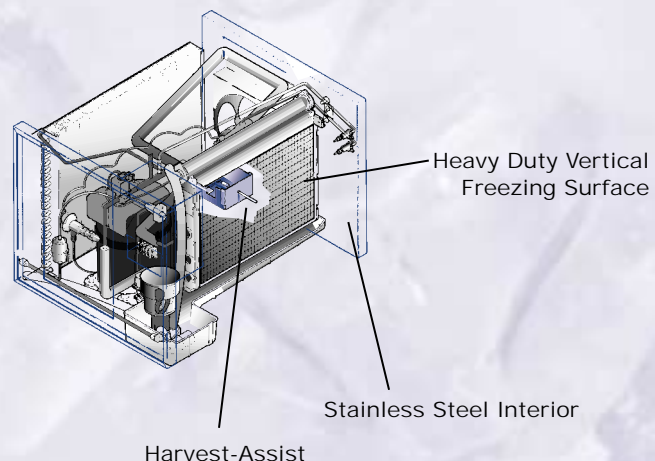
- Constructed from sturdy, corrosion-proof 300-series stainless steel — inside and out.
- Advanced “Harvest Assist” system gets ice to the bin more quickly. It conserves energy and increases compressor life.

## ■ **AgION™** Antimicrobial inside.

AgION™ antimicrobial inhibits the growth of slime and odor-causing bacteria.

- Easy to service and install. The ICE Series™ machines have electro-mechanical controls.
- Works on all standard industry dispensers and bins.
- Proven “classic cube” shape. Half cube and Full cube systems available.
- Available with an air-, water- or remote-cooled condenser.

\*Tested at 70° Air/50° Water

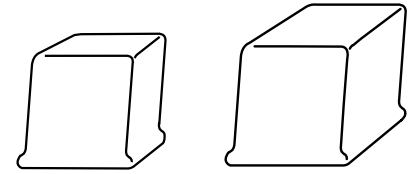
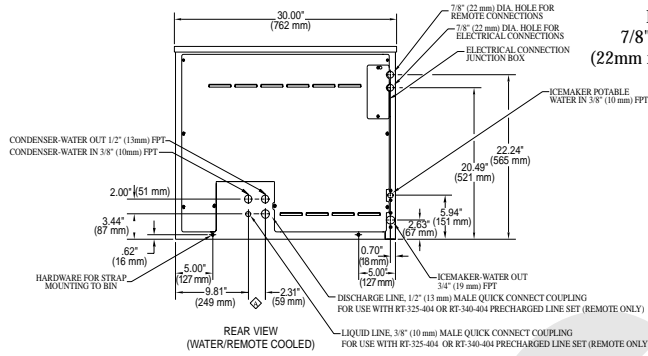
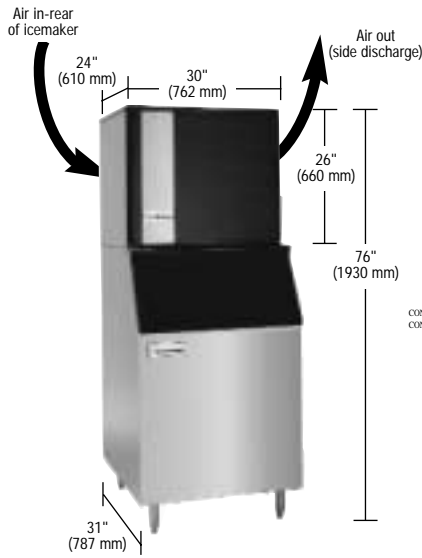


# Ice-O-Matic®

ICE1000 Series Cube Ice Maker

# ICE1000 Series Cube Ice Maker

## Dimensions and Air Flow



**Half Cube**  
7/8" x 7/8" x 3/8"  
(22mm x 22mm x 10mm)

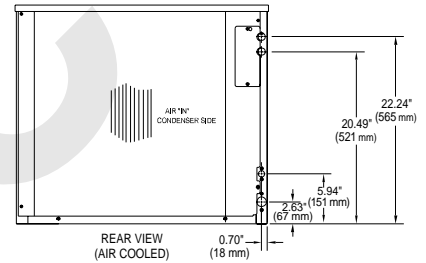
**Full Cube**  
7/8" x 7/8" x 7/8"  
(22mm x 22mm x 22mm)

Not shown actual size

## ICE PRODUCTION CHART POUNDS (KILOGRAMS) PER 24 HOURS

Conds. Unit	Air Temp. °F (°C)	ICE1006			ICE1005			
		Water Temp. °F (°C) 80°(27°)	70°(21°)	50°(10°)	Water Temp. °F (°C) 80°(27°)	70°(21°)	50°(10°)	
Air Cooled	90° (32°)	754 (343)	<b>811 (369)</b>	930 (423)	90° (32°)	690 (314)	<b>742 (337)</b>	856 (389)
	80° (27°)	862 (392)	927 (421)	1020 (463)	80° (27°)	796 (362)	856 (389)	942 (428)
	70° (21°)	938 (426)	1008 (458)	<b>1109 (504)</b>	70° (21°)	868 (395)	934 (424)	<b>1027 (467)</b>
Water Cooled	90° (32°)	875 (398)	<b>941 (428)</b>	1013 (460)	90° (32°)	853 (388)	<b>917 (417)</b>	985 (448)
	80° (27°)	902 (410)	970 (441)	1067 (485)	80° (27°)	876 (398)	942 (428)	1036 (471)
	70° (21°)	948 (431)	1019 (463)	<b>1121 (510)</b>	70° (21°)	919 (418)	988 (449)	<b>1087 (494)</b>
Remote Cooled	90° (32°)	842 (383)	<b>905 (411)</b>	1023 (465)	90° (32°)	745 (339)	<b>801 (364)</b>	911 (414)
	80° (27°)	940 (427)	1011 (460)	1112 (506)	80° (27°)	840 (382)	904 (411)	994 (452)
	70° (21°)	1015 (461)	1092 (496)	<b>1201 (546)</b>	70° (21°)	910 (414)	979 (445)	<b>1077 (490)</b>
	50° (10°)			1225 (557)	50° (10°)			1099 (499)
	30° (-1°)			1250 (568)	30° (-1°)			1121 (509)
0° (-18°)			1275 (579)	0° (-18°)			1143 (520)	

- 90°/70° figures are rated in accordance with ARI Standard 810. All remaining points are mathematical estimates.
- All specifications and performance data are subject to normal manufacturing variances.



## OPERATING LIMITS

Ambient Temp. Range	
Air & Water	50° - 110°F (10° - 43°C)
Remote	-20° - 110°F (-29° - 43°C)
Water Temp. Range	40° - 100°F (4.5° - 38°C)
Water Pressure Ice Maker	Min. 20 psi (1.4 bar)
Water in	Max. 60 psi (6.9 bar)
Condenser Inlet Water	Min. 20 psi (1.4 bar)
(Water cooled only)	Max. 60 psi (6.9 bar)

## ORDERING AND SPECIFICATION INFORMATION

Model No.	Cond. Unit	Ice Production per 24 hrs. at 70° Air/50° Water lbs. (Kgs.)	Ice Production per 24 hrs. at 90° Air/70° Water lbs. (Kgs.)	Water Used-Gals. (Lits.) per 100 lbs. of Ice		Kilowatts Used per 100 lbs. of Ice 70° Water	Btuh	Voltage Characteristics	No. of Wires	Min. Circuit Amp.	Max. Fuse Size	Shipping Weight lbs. (Kgs.)
				Ice Prod. Use	Cond. Use							
ICE1006 <sup>3/8</sup> A	Air	1109 (504)	811 (369)	20.6 (78)	n/a	5.4	16239	208-230/60/1	3	13.8	20	225 (102)
ICE1006 <sup>3/8</sup> W	Water	1121 (510)	941 (428)	23.7 (90)	169.8 (643)	3.8	15986	208-230/60/1	3	9.0	20	225 (102)
ICE1006 <sup>3/8</sup> R	Remote	1201 (546)	905 (411)	19.1 (72)	n/a	5.4	18149	208-230/60/1	3	13.8	20	225 (102)
ICE1005 <sup>3/8</sup> A	Air	1027 (467)	742 (337)	21.8 (83)	n/a	6.0	15699	230/50/1	3	13.3	15	225 (102)
ICE1005 <sup>3/8</sup> W	Water	1087 (494)	917 (417)	23.6 (89)	170.5 (645)	4.0	16005	230/50/1	3	9.5	15	225 (102)
ICE1005 <sup>3/8</sup> R	Remote	1077 (490)	801 (364)	22.4 (85)	n/a	5.5	16127	230/50/1	3	15.1	15	225 (102)

ERC-2061	Remote Condenser for 1 model ICE1000R (208-230/50-60/1 voltage)	95 (43)
ERC-2062	Remote Condenser for 1 or 2 model ICE1000R (208-230/50-60/1 voltage)	125 (57)
RT-325-404	25 ft. (7.6m) Precharged Tubing Kit for R-404A models	13 (6)
RT-340-404	40 ft. (12m) Precharged Tubing Kit for R-404A models	18 (8)

See Bin specification sheet for information on ice storage bins

<sup>3/8</sup> represents cube size. For full cube substitute an "F", for half cube substitute an "H".  
Please note: air-cooled units require 6" (152 mm) clearance for air intake and exhaust.



We reserve the right to make changes in design and construction at any time without obligation.  
©Mile High Equipment Company  
ICE1000-0102