

# ICE0800

cube ice maker



**ICE0800**  
shown on  
model B55 Bin



Produces up to 1094 lbs. (497 Kgs.)\*  
of ice per day.

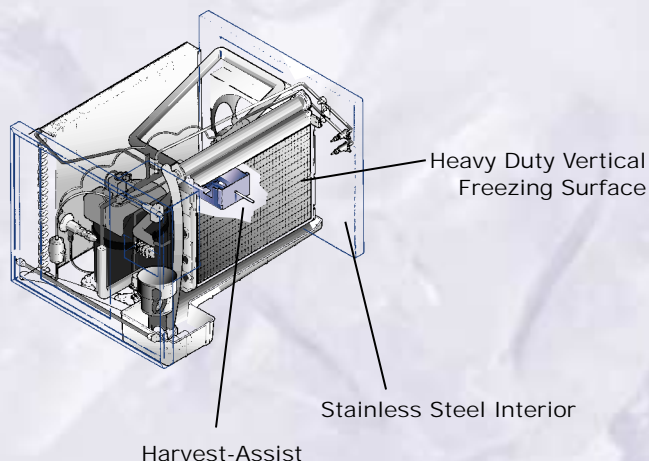
- Constructed from sturdy, corrosion-proof 300-series stainless steel — inside and out.
- Advanced “Harvest Assist” system gets ice to the bin more quickly. It conserves energy and increases compressor life.

## ■ AgION™ Antimicrobial inside.

AgION™ antimicrobial inhibits the growth of slime and odor-causing bacteria.

- Easy to service and install. The ICE Series™ machines have electro-mechanical controls.
- Works on all standard industry dispensers and bins.
- Proven “classic cube” shape. Half cube and Full cube systems available.
- Available with an air-, water- or remote-cooled condenser.

\*Tested at 70° Air/50° Water



# Ice-O-Matic®

ICE0800 Series Cube Ice Maker

