



ICEU 300 Series Cube ICE Maker

- ✓ Produces up to 356 lbs. (162 Kgs.)* of ICE per day
- ✓ Built-in application storage of up to 130 lbs. (59 Kgs.)
- ✓ Low profile - 39 inches (991 mm) tall
- ✓ Only 30 inches wide (752 mm) for tight spaces
- ✓ Available with an air- or water-cooled condenser



ICEU 300

ICE-O-Matic is the Best ICE Making Solution for: Hard Water, Food Safety and Tight Spaces

Problem

Food Safety

Food safety concerns about slime- and odor-causing bacteria

Hard Water

Scaling due to hard water slows Ice production

Tight Fitting Spaces

Inadequate air due to tight-fitting spaces reduces Ice production

Accessibility

Machine is difficult to clean due to limited access

Solution

PURE ICE® - Exclusively by ICE-O-Matic

Built-in antimicrobial protection for the life of the machine prevents bacteria and slime fungus growth. ICE-O-Matic's optional water filtration system provides protection against unpleasant tastes, odors and scale formation.

Harvest Assist

Consistent ICE production 24 / 7 by pushing the ICE into the bin rather than waiting for gravity to overpower the scale

Front Air Discharge

Air is drawn in and exhausted from the front - no side clearance required

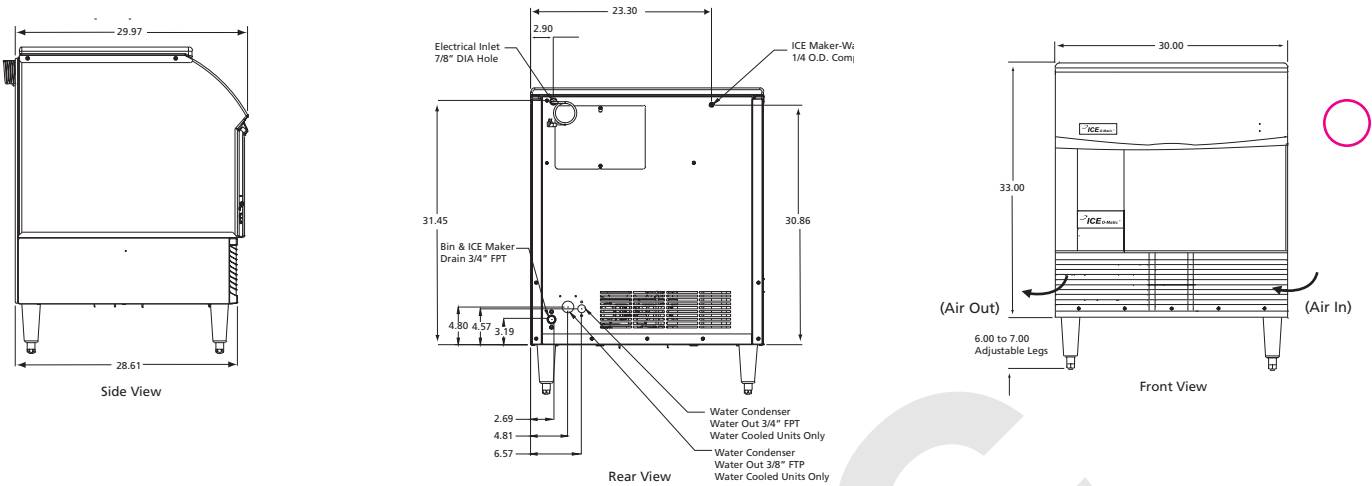
Easy Access

Bin can be easily removed from the front with four fasteners while the machine stays in place

*Rated at 70 ° (21°) Air / 50° (10°) Water

ICEU 300 Series Cube ICE Maker

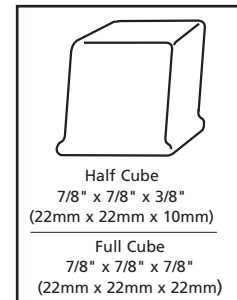
(Dimensions Are In Inches)



ICE PRODUCTION CHART POUNDS (KILOGRAMS) PER 24 HOURS								
		ICEU 300			ICEU 305			
Conds. Unit	Air Temp. °F (°C)	Water Temp. °F (°C)			Air Temp. °F (°C)	Water Temp. °F (°C)		
		80°(27°)	70°(21°)	50°(10°)		80°(27°)	70°(21°)	50°(10°)
Air Cooled	90° (32°)	212 (96)	228 (104)	260 (118)	90° (32°)	207 (94)	223 (101)	253 (115)
	80° (27°)	241 (109)	259 (118)	285 (129)	80° (27°)	233 (106)	251 (114)	276 (126)
	70° (21°)	261 (119)	281 (128)	309 (140)	70° (21°)	204(93)	219 (100)	241 (110)
Water Cooled	90° (32°)	275 (125)	296 (135)	320 (145)	90° (32°)	248 (113)	267 (121)	286 (130)
	80° (27°)	286 (130)	307 (140)	338 (154)	80° (27°)	254 (115)	273 (124)	300 (136)
	70° (21°)	301 (137)	324 (147)	356 (162)	70° (21°)	265 (121)	285 (130)	314 (143)

OPERATING LIMITS	
Ambient Temp. Range	50° - 110°F (10° - 43°C)
Air & Water	50° - 110°F (10° - 43°C)
Water Temp. Range	40° - 100°F (4.5° - 38°C)
Water Pressure Ice Maker Water in	Min. 20 psi (1.4 bar) Max. 60 psi (6.9 bar)
Condenser Inlet Water (Water cooled only)	Min. 20 psi (1.4 bar) Max. 60 psi (6.9 bar)

- 90° / 70° figures are rated in accordance with ARI Standard 810. All remaining points are mathematical estimates.
- All specifications and performance data are subject to normal manufacturing variances.
- Application bin storage is 130 lbs. (59 Kgs.) = 90% of Internal Volume x 34 lbs. Per Cubic Foot
- ARI bin storage is 112 lbs. (51 Kgs.) = 80% of Internal Volume x 30 lbs. Per Cubic Foot



ORDERING AND SPECIFICATION INFORMATION												
Model No.	Cond. Unit	ICE Production per 24 hrs. at 70° Air / 50° Water lbs. (Kgs.)	ICE Production per 24 hrs. at 90° Air / 70° Water lbs. (Kgs.)	Water Used-Gals. (Lits.) per 100 lbs. of ICE 90° Air / 70° Water		Kilowatts Used per 100 lbs. of ICE 90° Air / 70° Water	Btuh	Voltage Characteristics	No. of Wires Inc. Ground	Min. Circuit Amp.	Max. Fuse Size	Shipping Weight lbs. (Kgs.)
				ICE Prod. Use	Cond. Use							
ICEU300•A	Air	309 (140)	228 (104)	32.9 (124)	n/a	8.6	5928	115/60/1	3	13.1	15	205 (93)
ICEU300•W	Water	356 (162)	296 (135)	35.6 (135)	175 (662)	5.7	6097	115/60/1	3	11.1	15	205 (93)
ICEU305•A	Air	241 (110)	223 (101)	30.8 (117)	n/a	7.7	5392	220-240/50/1	3	6.4	15	205 (93)
ICEU305•W	Water	314 (143)	267 (121)	36.3 (137)	145 (548)	6.6	5080	220-240/50/1	3	4.7	15	205 (93)

- Represents cube size. For full cube substitute an "F", for half cube substitute an "H". Please note: air-cooled units require 6" (152 mm) front clearance for air intake and exhaust.



We reserve the right to make changes in design and construction at any time without obligation.
2005 ©ICE-O-Matic Rev Code: 1022B-04/05-55

ICE-O-Matic 11100 E. 45th Avenue, Denver, CO 80239
Tel. 303.371.3737 Fax. 303.371.6296 www.iceomatic.com