




*Model XG24*

### Specification:

Two sided cooking device with gas-fired griddle and two independently controlled 11.5" wide electric top heaters. To be model \_\_\_\_\_ manufactured by Garland Commercial Industries, Inc. Each twelve inches of lower griddle plate to have 33,000 btu/hr of heat input natural or propane gas. Burner to be rectangular shaped 16 GA stainless steel with laser cut port pattern. Griddle plate to be 3/4" thick Carbon steel, machine ground and highly polished. Automatic lighting, temperature, time & gap control monitored via custom programmable controllers, one per foot of griddle. Gas pressure regulator and manual shut-off valve to be provided as standard. Electric top heaters to be provided with replaceable quick release Teflon sheets. Top heaters to have gapping adjustment in 0.010" increments. Grill available in 208V, single or three phase, 240V, single or three phase and 3N-400V for export.

### Standard Features:

- Stainless steel front, top & sides
- 33,000 Btu/hr. heat input for each twelve-inch section of griddle
- Built in pressure regulator (one per twelve inch section of griddle) and gas shut-off valve
- 3/4" thick, Carbon steel griddle plate, machine ground, highly polished
- Swivel casters complete with front brakes (quantity of 4)
- Die cast aluminum electric top heating elements rated 208V, 240V or 400V
- Automatic lifting and lowering of top heaters
- Towel bar with bun pan lip
- Stainless steel dual side grease collectors
- Separate programmable controller for each twelve-inch section
- Multi-colored LED indicator lights to identify operational mode
- One year limited parts and labor (USA & Canada)

### Optional Features:

- Stainless steel main back
- 6" adjustable stainless steel legs
- Quick disconnect gas hose 3' length
- Cutting board

NOTE: Grills supplied with casters must be installed with an approved restraining device.



**Garland Commercial Industries, Inc.**  
 185 East South Street  
 Freeland, Pennsylvania 18224  
 Phone: (570) 636-1000  
 Fax: (570) 636-3903

**Garland Commercial Ranges Ltd**  
 1177 Kamato Road, Mississauga, Ontario  
 L4W 1X4 CANADA  
 Phone: 905-624-0260  
 Fax: 905-624-5669

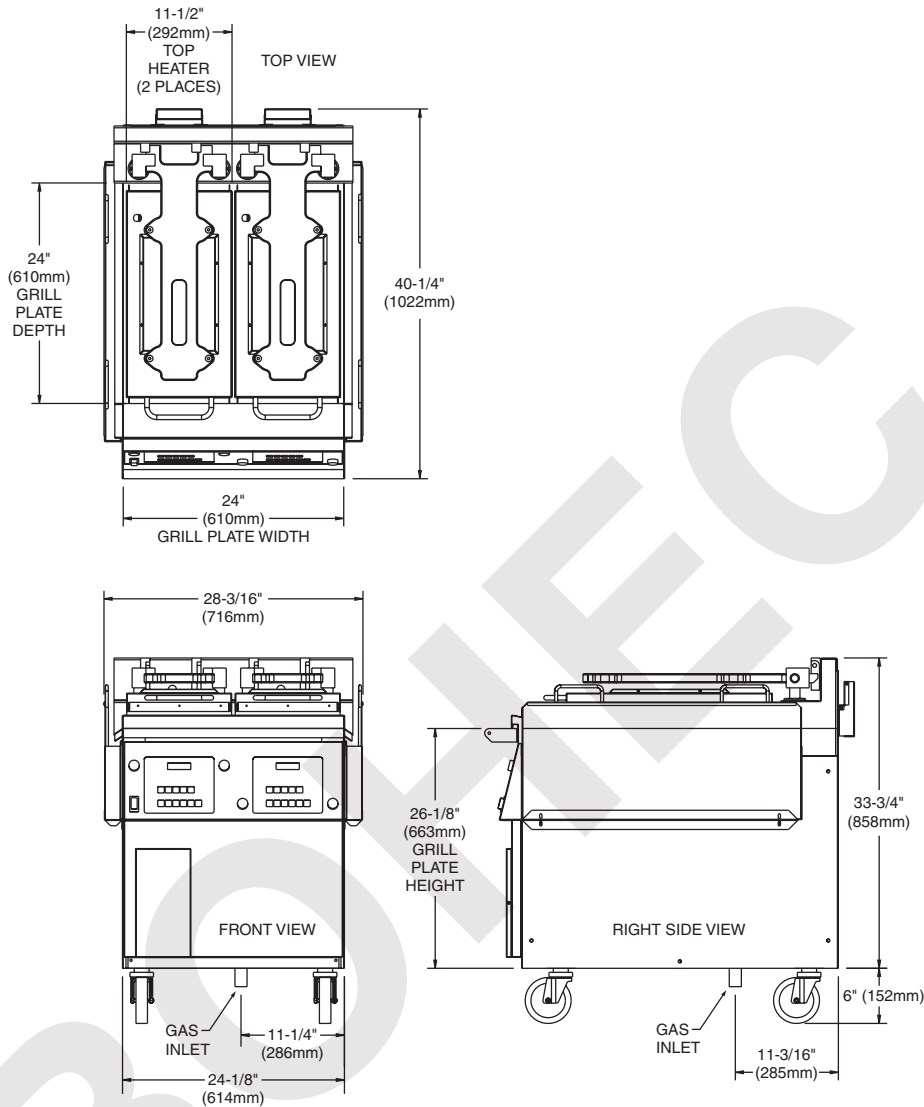
**Enodis UK LTD**  
 Swallowfield Way, Hayes, Middlesex  
 UB3 1DQ ENGLAND  
 Telephone: 081-561-0433  
 Fax: 081-848-0041



Item #: \_\_\_\_\_

Model: XG24, XG24CE

Product Name: Master Series Gas Xpress Grill



Model	Total kW Load	Loading kW Per Phase			Nominal Amps Per Line								
		208/220/240V 3-Phase			208V 3-Phase Delta			220V 3-Phase Delta			240V 3-Phase Delta		
		X-Y	X-Z	Y-Z	X	Y	Z	X	Y	Z	X	Y	Z
XG24	8.66	2.66	3.33	2.66	24.93	22.14	24.93	23.57	20.94	13.57	21.61	19.19	21.61

Model	Total kW Load	Loading kW Per Phase				Nominal Amps Per Line			
		400V, 3N				400V, 3N			
		L1/N	L1/L2	L1/L3	L2/L3	L1/N	L1	L2	L3
XG24CE	8.48	0.48	2.66	2.66	2.66	2.08	12.56	11.51	11.51

Clearances				Gas Pressure				Total Input	
Entry		Installation		Supply (min.)		Manifold			
Crated	Uncrated	Sides	Rear	NAT	PRO	NAT	PRO	BTU/Hr	kW
47-1/2" (1207mm)	32" (813mm)	6" (152mm)	3" (76mm)	7.0" WC	11.0" WC	3.2" WC	10.0" WC	66,000	19.4

Continuous product improvement is a Garland policy.