



COUNTER TOP ELECTRIC PIZZA & PRETZEL OVENS

Job _____ Item # _____

ELECTRIC DECK OVENS

- Model P22S
- Model P22S-BL brick lined



Model P22S

STANDARD FEATURES

- 3600 Watts in 208v or 220-240v
- 284°-680°F Temperature range (140°-360°C)
- Electric 15-Minute timer with continuous ring alarm and manual shut-off
- Single cook/baking chamber
- Two hearth stone decks per oven with 3 1/4" (83mm) deck heights
- All stainless steel exterior
- Unitized, welded, aluminized steel interior
- Fully insulated
- 6' (1830mm) Cord & plug
- Limited 1-Year parts and labor warranty

SPECIFICATIONS

The P22S and P22S-BL with brick lined option electric counter top ovens feature a single bake chamber, with two hearth stone decks and 3 1/4" (83mm) deck heights.

Designed for pizza, pretzels, flat breads and bakery products baked directly on the hearth deck, screens, pans or baking sheets.

The brick lined option adds top heat intensity, speeds recovery and increases production. The brick lined option may be easily installed in the standard P22S either in the field or factory. Hearth stone decks are easily removable for cleaning or replacement.

Controls feature a 15 minute electric timer with continuous ring alarm and manual shut-off, and a 284° - 680° F (140° - 360° C) thermostat.

The exterior front, sides and top and door are fabricated of heavy gauge type 430 stainless steel with a #4 finish. Door handle is constructed of tubular stainless steel. Exterior measures 26" (660mm) wide by 28" (711mm) deep by 17" (432mm) tall overall.

The interiors are constructed of high heat aluminized steel, welded to form a single unitized body. The entire oven is insulated with 1 1/2" (38mm) thick industrial grade insulation. Each hearth stone deck measures 20 3/4" (527mm) by 20 3/4" (527mm).

Incoloy, tubular heating elements provide top and bottom heat with up to 3600 watts in 208v or 220-240v, single or three phase. 6' Cord and plug provided on single-phase models. International voltages available. Ovens are stackable. 1-Year limited parts and labor warranty included.

OPTIONS & ACCESSORIES

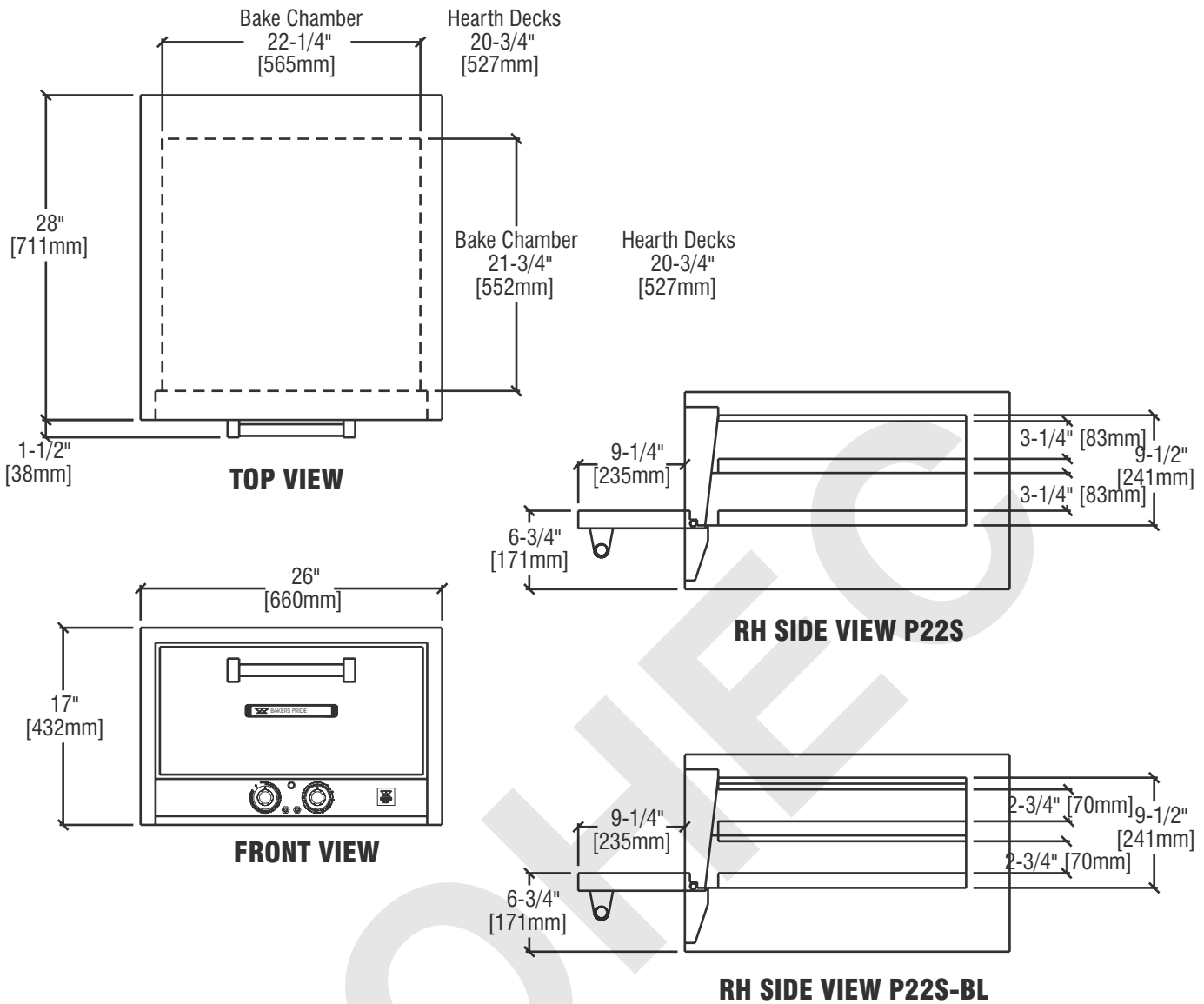
- 4" (102mm) Adjustable legs
- Stainless steel stand with or without casters
- Stacking kit
- Brick lined conversion kit (standard with P22S-BL)
- Glass windows for doors
- International voltages
- Peel & deck scraper brush

CERTIFICATIONS



BAKERS PRIDE OVEN COMPANY, INC.
30 Pine Street, New Rochelle, NY 10801
914/576-0200 • 1-800-431-2745 • fax 914/576-0605
www.bakerspride.com

Continuous product improvement is a policy of Bakers Pride Oven Company. Therefore, specifications and design are subject to change without notification



ALL DIMENSIONS NOMINAL

| Model | Shipping Wt | | Carton Dimensions | | | | Crate Size | |
|---------|-------------|-------|--------------------|--------------------|---------------------|---------------|----------------|--|
| | Lbs. | Kilos | Width Inches mm | Depth Inches mm | Height Inches mm | Cubic Feet | Cubic Meter | |
| P22S | 160 | 73 | 32 813 | 30 1/2 775 | 22 1/2 572 | 12.7 | .37 | |
| P22S/BL | 165 | 75 | 32 813 | 30 1/2 775 | 22 1/2 572 | 12.7 | .37 | |

Under 500 lbs = Shipping Class # 70

| Model | WATTS | VOLTAGE | PHASE | AMPS | NEMA Plug # | | | |
|---------|-------|---------|-------|------|-------------|--------|----|-----------|
| | | | | | USA | Canada | UK | Europe |
| P22S/BL | 3600 | 208 | 1 | 17.3 | 6-20P | 6-30P | — | CEE7-VIII |
| | | | 3 | 12.1 | — | — | — | — |
| P22S/BL | 3600 | 220-240 | 1 | 17.1 | 6-20P | 6-20P | — | CEE7-VIII |
| | | | 3 | 12.0 | — | — | — | — |

Each oven requires a separate electrical connection — 3 Phase and Export Voltages No Line Cord

| Model | Deck Size | | # Decks | # Cook Chambers | Overall Dimensions | | | |
|---------|---------------|---------|---------|-----------------|--------------------|---------------------|----------------------|--|
| | Inches | mm | | | Width Inches mm | Depth* Inches mm | Height* Inches mm | |
| P22S/BL | 20 3/4x20 3/4 | 527x527 | 2 | 1 | 26 660 | 28 711 | 17 432 | |

| | Non-Combustible Construction* | | Combustible Construction** | |
|------------|-------------------------------|----|----------------------------|----|
| | Inches | mm | Inches | mm |
| Left Side | 3 | 76 | 3 | 76 |
| Right Side | 3 | 76 | 3 | 76 |
| Rear | 3 | 76 | 3 | 76 |

* In European Community Countries and North America. In NON-COMBUSTIBLE locations only.
** In European Community Countries only in COMBUSTIBLE locations. NOT for North America.

