

DV 80.2 / DV 120.2

The Simple Pleasure of Washing
with the MEIKO Premium Range



DV 80.2 and DV 120.2 – MEIKO high-capacity dishwashing machines.
Brighten up your dishwashing experience with optimum ergonomics and
automatic hoods.



DV 80.2

Dishwashing just got a whole lot more fun

The MEIKO DV 80.2 may be designed for dishware and crockery, but it is also a great choice as a high-performance glass washer. With its sleek, easy-clean stainless steel surfaces and clearly designed, user-friendly operating panel, it offers impressive visual appeal from the outside. But things get even better on the inside: The DV 80.2 offers an optimised wash and rinse system, a superbly crafted tank and a unique filter system. With its sophisticated ergonomic design and automatic hood lifting device, this MEIKO machine is a pure dishwashing delight.

DV 80.2

A popular choice:

Reliable, easy to use, impeccably clean results. The Premium Class pass-through dishwasher.

Entry height (in mm):

H 440

Basket dimensions (in mm):

500 x 500

Capacity:

Up to 60 baskets / hour

MEIKO technology:



DV 120.2

Three-in-one dishwashing excellence



The clean solution

Unlike the DV 80.2, the MEIKO DV 120.2 has also been designed for the quick and thorough cleaning of heavy-duty dishware, pots, containers etc. The machine features electronically controlled wash power settings with a choice of three different cycles, three different pump motor capacities and state-of-the-art electronics.

By combining three models into one machine, MEIKO offers you exceptional cleaning results and maximum cost efficiency.

DV 120.2

Key features that make a difference:

- Choice of three power levels gives optimum control of wash based on ware type and amount of soiling:
 - **Gentle wash**
e. g. for crockery
 - **Intensive wash**
for dishware
 - **Power wash**
for pots, cooking utensils, etc.
- Precise adjustment of motor capacity based on selected power level means reduced energy consumption.
- Electronically controlled 'soft start' of wash pump avoids abrupt vibrations on machine start-up, preventing damage to the contents and the machine itself.

Entry height (in mm):

H 440

Basket dimensions (in mm):

500 x 500

Capacity:

Up to 60 baskets / hour

MEIKO technology:



DV 80.2 / DV 120.2 with the Point2 AirConcept system – Clean air and superb energy efficiency

The MEIKO *Point2 AirConcept* system (optional) is an innovative air management solution that provides the very best in exhaust heat recovery. Instead of being released into the room, the hot steam is fed back into the machine as part of the heat recovery process.



Maximum energy efficiency

Integrated heat recovery

Better indoor climate

Reduced emissions

Integrated self-cleaning function

Impeccable hygiene standards

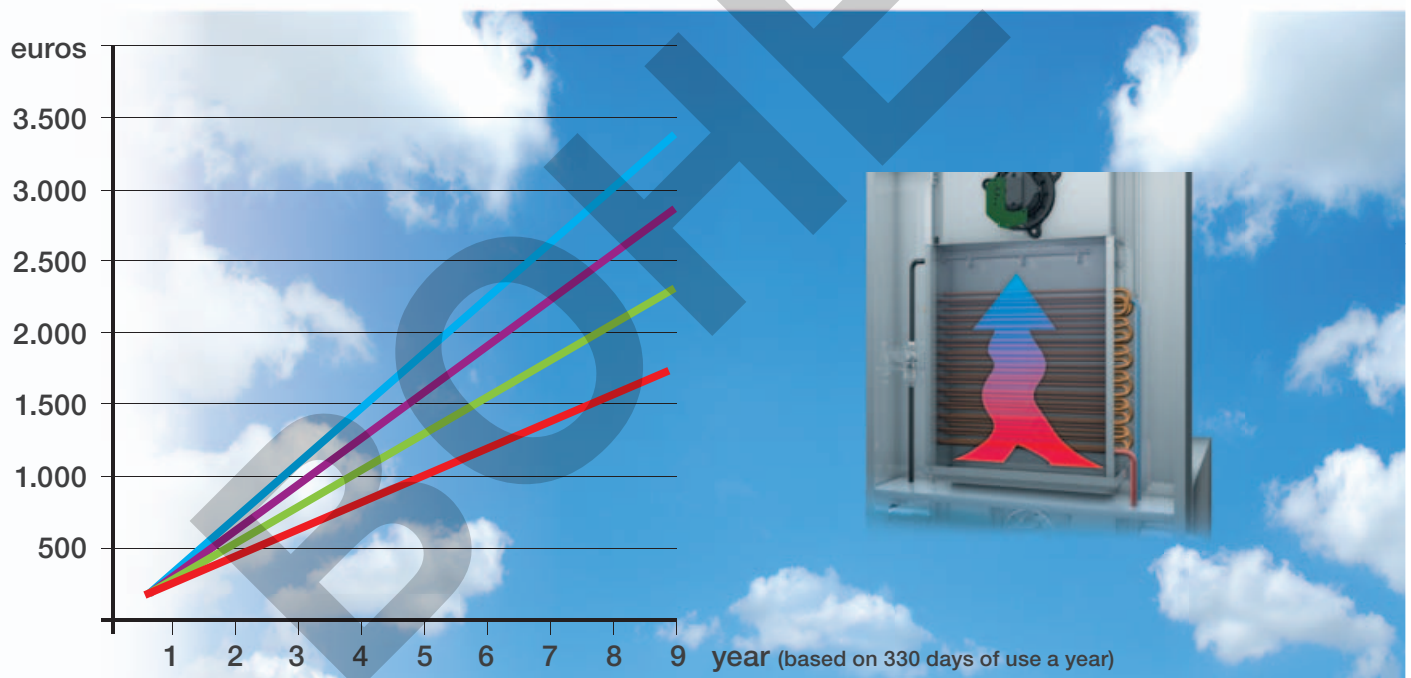
Fully DIN certified

Maintains programme timings and temperature settings

Helps dishware to dry quicker

Steam emissions are reduced to a minimum, making for a much more pleasant working environment. The hot air emitted by the machine is recycled as a source of energy for the water circuit. This reduces the connected load of the machine by up to 13 percent and leads to significant energy and cost savings.

Reduction in operating costs using the DV 80.2 with MEIKO *Point2 AirConcept*



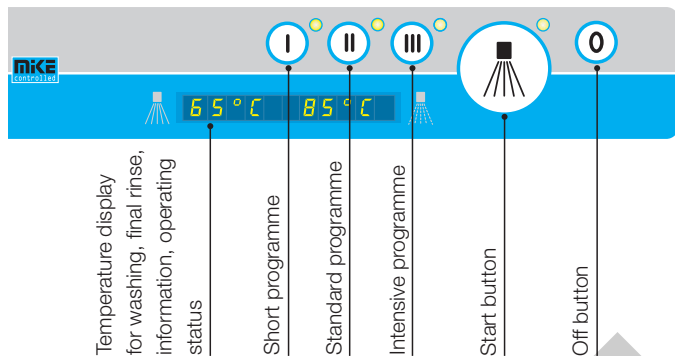
150 baskets/day
125 baskets/day
100 baskets/day
75 baskets/day

Technical data		DV 80.2 / DV 120.2
Self-cleaning (without any additional water)		Built-in cleaning nozzles
Steam extraction (extended programme duration)	s	30
Reduction in heat emitted from the machine	kW	1,3
Exhaust air temperature (with a feed water temperature of 12 °C)	°C	approx. 25
Reduction in steam emitted from the machine		80 %
Reduction in connected load	kW	1,5

Dishwashing made easy

MIKE 2 – MEIKO technology for maximum convenience

The MEIKO DV 80.2 and DV 120.2 pass-through (hood-type) machines come with the innovative *MIKE 2* fully electronic control system fitted as standard. Choose one of the three programmes by lightly tapping the appropriate key. The digital display shows the progress of the wash cycle and alerts you to any status messages. Clear symbols and prominently displayed wash and rinse temperatures make it remarkably easy to operate this machine and monitor its progress.



MIKE 2 – Fully electronic user-friendly control system with built-in infrared interface for the “Point2 generation”.



It doesn't get more convenient than this.

MIKE 2 is one of the most innovative control technologies for dishwashing machines in today's marketplace. Combined with MEIKO's intelligent *M-Commander W* software, it is now easier than ever to read, define and modify data and transfer it via PC to the factory or customer service centre for immediate processing. That means significant benefits in terms of the time and money spent on maintenance.

The MEIKO automatic hood. Now available in Premium Class (optional)

With programmes that run fully automatically at the touch of a button, things couldn't be simpler!

The hood opens and closes automatically. Once you have experienced this convenient and ergonomic solution, you will wonder how you ever managed without it!

- Separate button for opening and closing hood
- Increased capacity utilisation
- No longer necessary to open the hood manually
- Continuous loading
- Excellent ergonomics



DV 80.2 / DV 120.2

Getting every last corner clean

A closer look at the enhanced features of the DV 80.2 / DV 120.2



Elegantly simple: The wash chamber

Functionally designed, easily removable strainer screens cover the wash tank below.



Clean: The *AktivPlus* wash water filter system

Fine filter system which works in tandem with the strainer screens to provide optimum wash water through multiple filtration. That means the tank water stays clean longer, ensuring the best and most hygienic cleaning results.



Ergonomic handling thanks to wrap-around hood handle

Closing and pressing down the hood handle automatically starts the selected program



Smart and simple: Machine installation

Easy-to-use connection kit for water, waste water and power. The built-in drain pump allows waste discharge up to a height of 700 mm.



The highpoint: 440 mm usable pass-through height
Easily accommodates Euronorm trays, tall dishware, beer glasses etc.

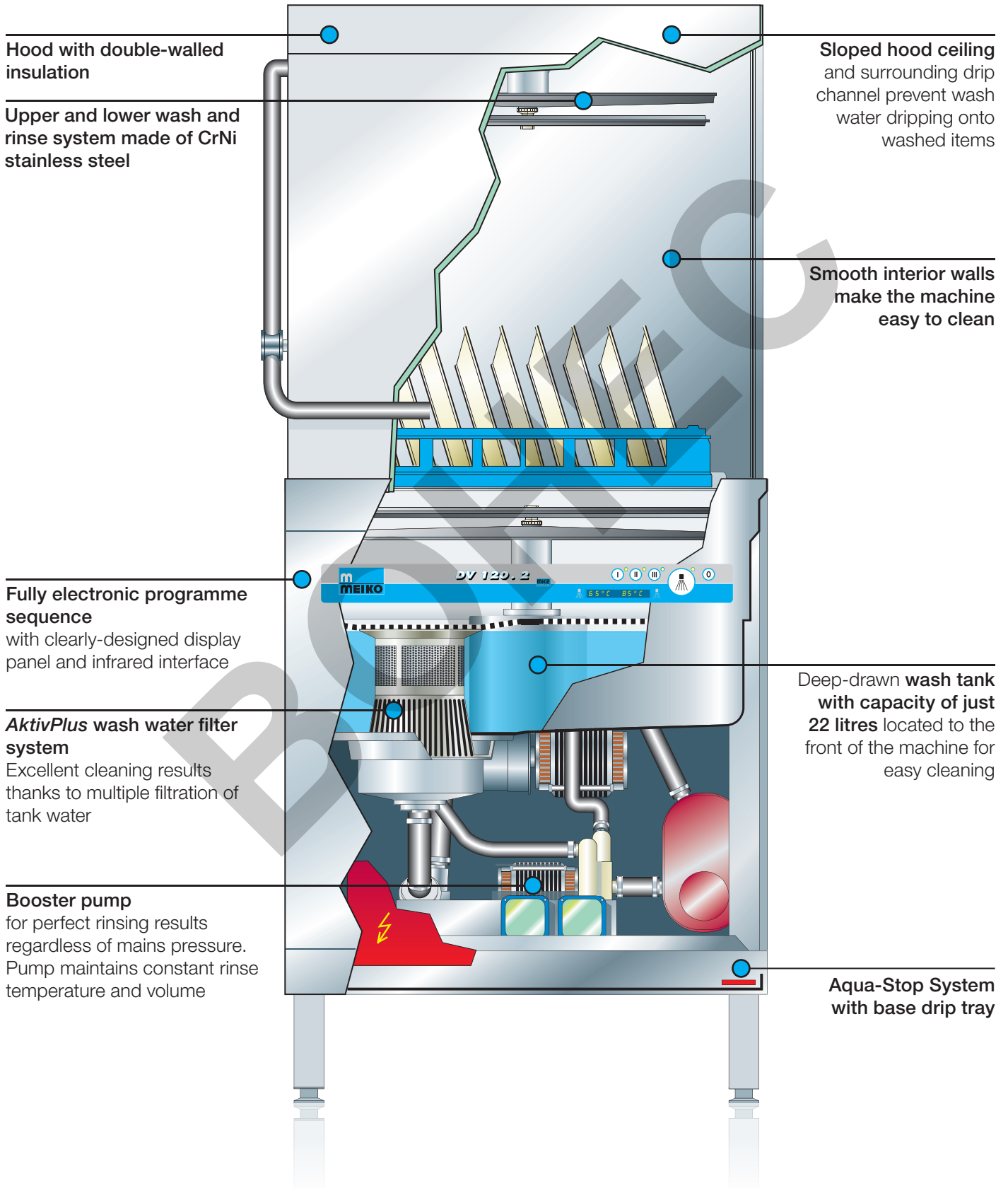
- Rinse aid dosing unit
- 150 mm floor clearance
- Rear-vented hood directs steam away from operator
- Temperature-dependent extension of wash time ensures top-notch hygiene under all operating conditions
- 22 litre tank capacity, quick start-up time, low operating costs, rapid tank regeneration
- Efficient final rinse system uses just 2.6 litres of water per rinse cycle
- CrNi stainless steel switch panel
- Customer-oriented service: Easy access, clearly designed machine layout, excellent reliability (protection class IP X5) – plus premium class service and customer support from MEIKO
- Certified quality

We can also supply top-quality built-in water treatment technologies on request.

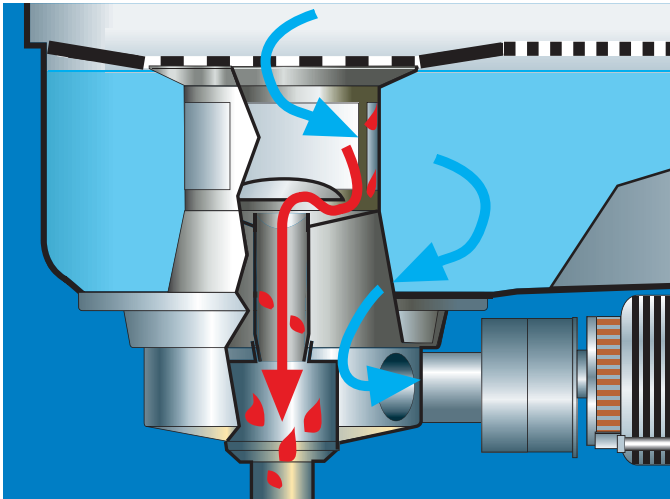
DV 80.2 / DV 120.2

A host of features under the hood

The key benefits of MEIKO dishwashing technology at a glance



MEIKO *AktivPlus* wash water filter system

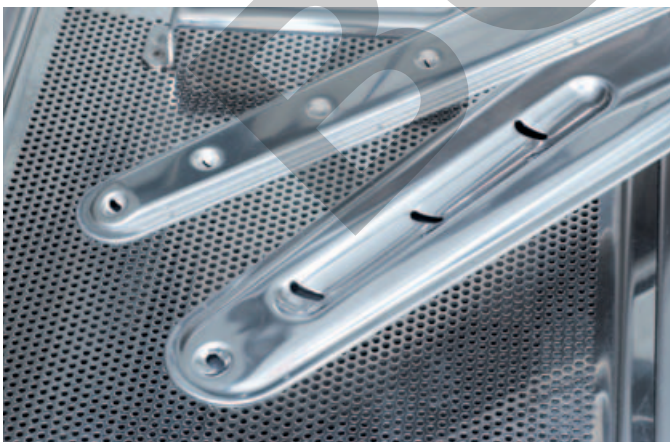


Outstanding cleaning results thanks to multiple filtration of tank water.

Water change programme (optional)

Replace the water in the tank at the touch of a button, and continue rinsing immediately with fresh new water. This simple, fully automatic process ensures hygienic rinsing and optimum results.

Safety first



Only the most robust technology and the best materials can guarantee top-quality cleaning results. That's why we insist on chrome nickel stainless steel for the wash and rinse arms, too.

EWS – How MEIKO saves more water and energy



EWS - Providing excellent, economical and eco-friendly cleaning results.

MEIKO's Energy and Water Saving *EWS* system is an intelligently designed feature that makes dishwashing easy, hygienic and eco-friendly. With the sophisticated *AktivPlus* wash water fine filter technology, it makes the wash water cleaner and purer than ever before. And that pays real dividends, producing sparkling cleanliness with minimal water consumption – just 2.6 litres of fresh water per wash cycle!

ADT – Dishwashing with auto dosing (DV 80.2)



- No wearing parts
- Long-term reliability
- Consistent cleaning results
- Automatic rapid venting (e.g. after changing the container)
- Visual function monitoring
- Self-priming (up to a 0.6 m height difference)
- No heating of the detergent required
- Automatically detects when container is empty (no additional sensor required in detergent container).

Aqua-Stop System with base drip tray



High operating reliability thanks to automatic water leakage detection, optimum protection of all machine components.

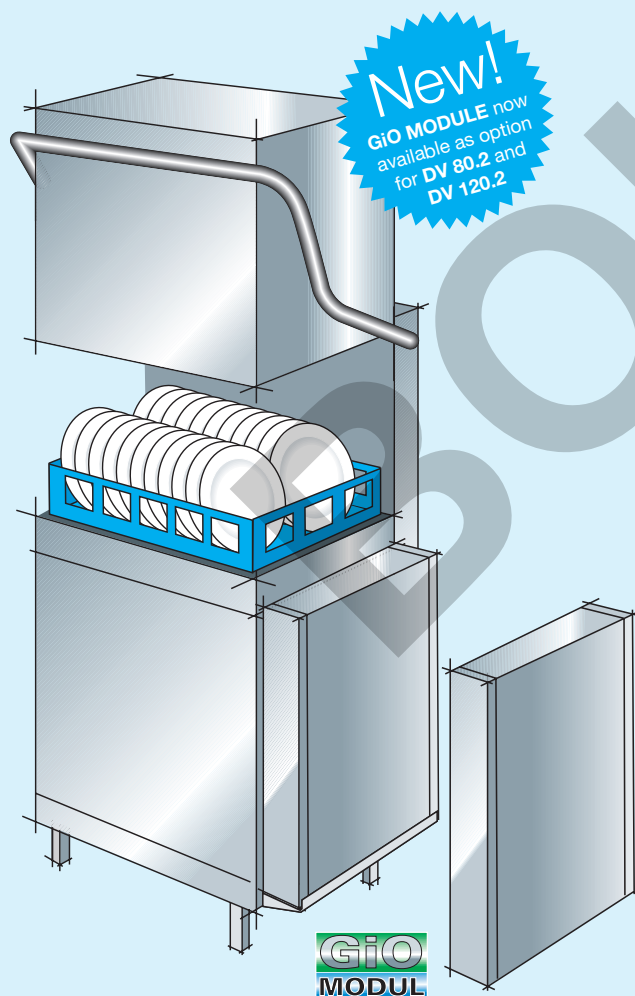
Highlights of MEIKO dishwashing technology



Perfectly clean: MEIKO's *GiO MODULE* is a reverse osmosis system that offers outstanding water treatment performance.

The revolutionary *GiO MODULE* uses reverse osmosis technology to produce demineralised water with a purity level of approx. 98%. Economical and eco-friendly, it generates sparkling clean results with impeccable standards of hygiene.

- Ultra-compact design
- Comes with complete connection kit
- Fully integrated in the dishwasher control system
- Includes mounting bracket



The optional *GiO MODULE* can alternatively be installed some distance away from the machine or even in a different room.

AirBox *AktivAir*

Creating a better working environment:

- Centralised vapour management
- Significantly reduces the amount of steam released
- Keeps steam away from machine operators
- Built-in condensate drain
- Steam extraction initiated by dishwashing programme
- Continues running for specified time after programme finishes
- No filter, maintenance-free
- Can be retrofitted
- Optional



MEIKO gets things sorted

Customised layouts and loading options

The intelligent design of MEIKO's pass-through machines opens up an almost unlimited range of possible configurations, from linear pass-through systems to space-saving corner models.

To help maximise the efficiency of your wash-up area, our product portfolio also includes a wide assortment of table

designs – from simple roller conveyor tables to a complete dish clearing station with integrated glasswasher. **We would be happy to suggest a cost-effective, custom-made solution tailored to your specific requirements.**



Clear-up and pass-through:

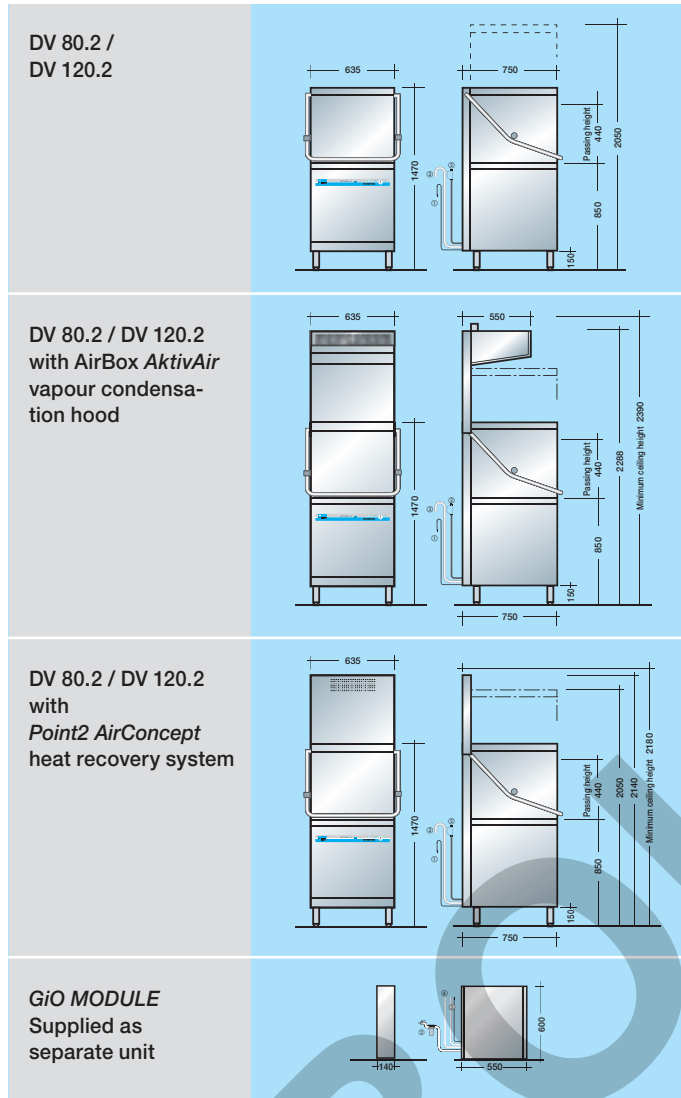
MEIKO dishwashing technology means you can do everything in one go



Proven pass-through solution: A traditional linear layout



The winning corner: A great way to save space



		DV 80.2	DV 120.2
Basket dimensions	mm	500 x 500	
Theoretical			
basket capacity	up to baskets/hour*	60/40/17	
plate capacity	up to plates/hour	1,080	
glass capacity	up to glasses/hour	2,160	
Pump motor	kW	0.75	1.5
Tank capacity	ltr.	22	
Final rinse	ltr./basket	2.6	
Tank heating	kW	1.3	
Built-in boiler with			
inlet temperature of 45 °C	kW	7.5	
inlet temperature of 10 °C	kW	9.0	
Total connected load for			
inlet temperature of 45 °C	kW	9.7	10.4
inlet temperature of 10 °C	kW	11.2	11.9
inlet temperature of 10 °C with Point2 AirConcept	kW	9.7	10.4

Electrical installation:

Electrical connection: ① 3-phase NPE, 400 V, 50 Hz.

The *AktivClean* option increases the connected load by 0.25 kW.

The optional *AirBox AktivAir* increases the connected load by 0.4 kW.

Circuitry complies with the requirements of the Association of German Electrical Engineers (VDE).

Water installation:

The machines can be connected directly to the fresh water supply without the use of intermediate safety valves ②. Minimum flow pressure 0.6 bar, maximum 5 bar. Installation requirements of EN 1717 are to be observed.

¾" drain outlet. Max. height of on-site drain outlet on wall: 700 mm ③.

Length of connecting cables from machine is approx. 1.4 m.

GiO MODULE:

Cold water connection (max. 35 °C). Minimum flow pressure 1 bar, maximum 5 bar. Conductivity of raw water <1000 µS/cm. Total water hardness max. 28 °dH. Includes connection kit: Check valve, pressure regulating valve, 10µm filter with activated carbon, "HD" safety equipment (backflow preventer and pipe aerator) as per EN 1717.

Connection length approx. 3 m.

Appliance connection kit with reinforced hose (without Aqua-Stop).

Concentrate drain ½" ④, length approx. 2 m. Permeate and electrical cables between machine and separate *GiO MODULE* approx. 3 m ⑤.

(1 bar = 100 kPa) (1 °dH approx. 0.18 mmol/l CaCO₃)



In accordance with the hygiene requirements of DIN 10511-H for commercial glasswashing and DIN 10512 for commercial dishwashing.

Available wash cycles:

DV 80.2	Short programme	=	60 s
	Standard programme	=	90 s
	Intensive programme	=	210 s
DV 120.2	Gentle wash	=	60 s (power level I)
	Intensive wash	=	90 s (power level II)
	Power wash	=	210 s (power level III)

If the machine is connected to a cold water supply and/or if baskets are inserted in quick succession, the duration of the wash cycles may be increased to achieve hygienic final rinse temperatures. The water change programme increases the duration of the wash cycle.

* The *Point2 AirConcept* and *AirBox AktivAir* options cannot be combined with the automatic hood option.

Please note that the design of ventilation systems for wash-up areas must comply with VDI 2052 regulations.