



S-Series 600 Ice Cube Machine

- Model SD-0602A SD-0603W SY-0604A SY-0605W
 SD-0692N SY-0694N



SY-0604A
Ice Machine on B-570 Bin

Standard Features

- Up to 650 lbs. (295 kgs.) daily ice production
- CEE Tier 2 energy and water efficiency rating
- Only 30" (76.20 cm) wide
- Removable water distribution tube with no tools
- Food zone designed with soft, round, cove corners
- Patented cleaning and sanitizing technology
- Select components made with AlphaSan® antimicrobial
- Hinged front door for easy access

Warranty

- 5-year parts and 5-year labor coverage on ice machine evaporator.
- 5-year parts and 3-year labor coverage on ice machine compressor
- 3-year parts-and-labor coverage on all other ice machine, dispenser, and storage bin components

Specifications

BTU Per Hour:

9,000 (average) 13,900 (peak)

Compressor:

Nominal rating: 1 HP

Cupra-Nickel Condenser:

(Water-cooled models)

Adds protection from corrosive water elements

Operating Limits:

- Ambient Temperature Range: Air and water-cooled:

35° to 110°F (1.6° to 43.3°C)

Remote:

-20° to 120°F (-29° to 49°C)

- Water Temperature Range:

35° to 90°F (1.6° to 32.2°C)

- Water Pressure Ice Maker

Water In:

Min. 20 psi (137.9 kPa)

Max. 80 psi (551.1 kPa)

- Condenser Inlet Water In:

(Water cooled only)

Min. 20 psi (137.9 kPa)

Max. 150 psi (1,034.2 kPa)

Ice Machine Electric

208-230/60/1 standard. (230/50/1 also available.)

Minimum circuit ampacity:

Air-cooled: 8.3 amps

Water-cooled: 7.9 amps

Remote: 8.9 amps

Maximum fuse size:

Air-cooled, Water-cooled and Remote: 15 amps

HACR-type circuit breakers can be used in place of fuses.

Ice Shape



Half Dice
 $\frac{3}{8}'' \times 1\frac{1}{8}'' \times \frac{7}{8}''$
 (.95 x 2.86 x 2.22 cm)



Dice
 $\frac{7}{8}'' \times \frac{7}{8}'' \times \frac{7}{8}''$
 (2.22 x 2.22 x 2.22 cm)

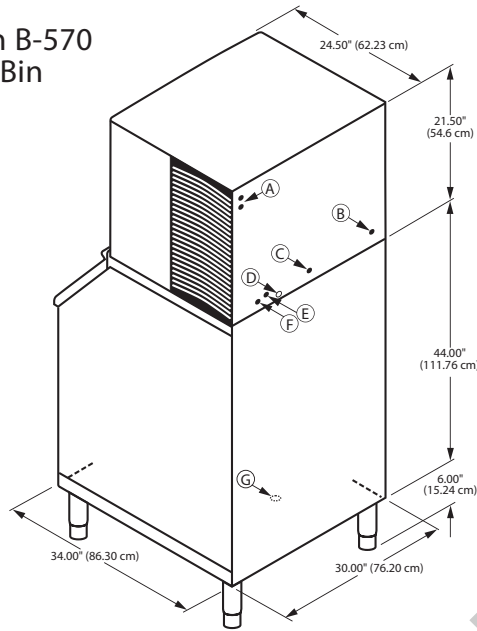


QUALITY MANAGEMENT SYSTEM
 CERTIFIED BY DNV
 ISO 9001:2008



S-Series 600 Ice Cube Machine

S-600 on B-570 Storage Bin



- (A) Electrical Entrance (2) Options
- (B) 3/8" (0.95 cm) F.P.T. Water Condenser Inlet (water-cooled units)
- (C) 1/2" (1.27 cm) F.P.T. Water Condenser Outlet (water-cooled units)
- (D) 1/2" (1.27 cm) Auxillary Base Drain Socket
- (E) 3/8" (0.95 cm) F.P.T. Ice Making Water Inlet
- (F) 1/2" (1.27 cm) F.P.T. Ice Making Water Drain
- (G) 3/4" (1.91 cm) Bin Drain

Installation Note
 Minimum installation clearance—Top/sides: 8" (20.32 cm); Back: 5" (12.7 cm).

Space-Saving Designs



	S-600 B-400	S-600 B-570
Height	59.50" 151.13 cm	71.50" 181.61 cm
Width	30.00" 76.20 cm	30.00" 76.20 cm
Depth	34.00" 86.30 cm	34.00" 86.30 cm
Bin Storage	290 lbs. 131.7 kgs.	430 lbs. 195.2 kgs.

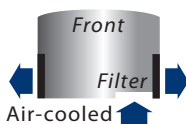
Height includes adjustable bin legs 6.00" to 8.00", (15.24 to 20.32 cm) set at 6.00" (15.24 cm).

Model	Ice Shape	Ice Production 24 Hours				Power kWh/100 lbs. @ 90°/70°F	CEE† Rating	ENERGY STAR®
		70°Air/50°F Water		90°Air/70°F Water				
		lbs.	kgs.	lbs.	kgs.			
SD-0602A	dice	650	295	540	245	5.6	Tier 2	★
SD-0603W	dice	650	295	610	277	4.5	Tier 2	
SY-0604A	half-dice	650	295	540	245	5.6	Tier 2	★
SY-0605W	half-dice	650	295	610	277	4.5	Tier 2	
Remote Air-Cooled with JC-0895A condenser								
SD-0692N	dice	630	286	570	259	5.9	Tier 2	★
SY-0694N	half-dice	630	286	570	259	5.9	Tier 2	★
Water usage/100 lbs./45.4 kgs. of Ice								
Potable Water: 20 gallons, 76 liters • Water-cooled Condenser: 170 gallons, 643 liters								

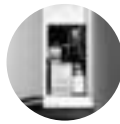
†Consortium for Energy Efficiency (CEE) is a North American nonprofit organization that promotes energy-efficient products, technologies and services; also the principal entity for the development of ice maker efficiency standards.

Order ice storage bin separately. "A" or "W" following model number indicates "Air" or "Water" condensing unit. Ice storage bin and JC-0895A remote condenser must be ordered separately. Consult remote condenser specification sheet for details.

Air Flow Top View



AuC[®]SI Accessory



Automatic Cleaning System purchased factory installed in the machine or as an option for field retrofit.